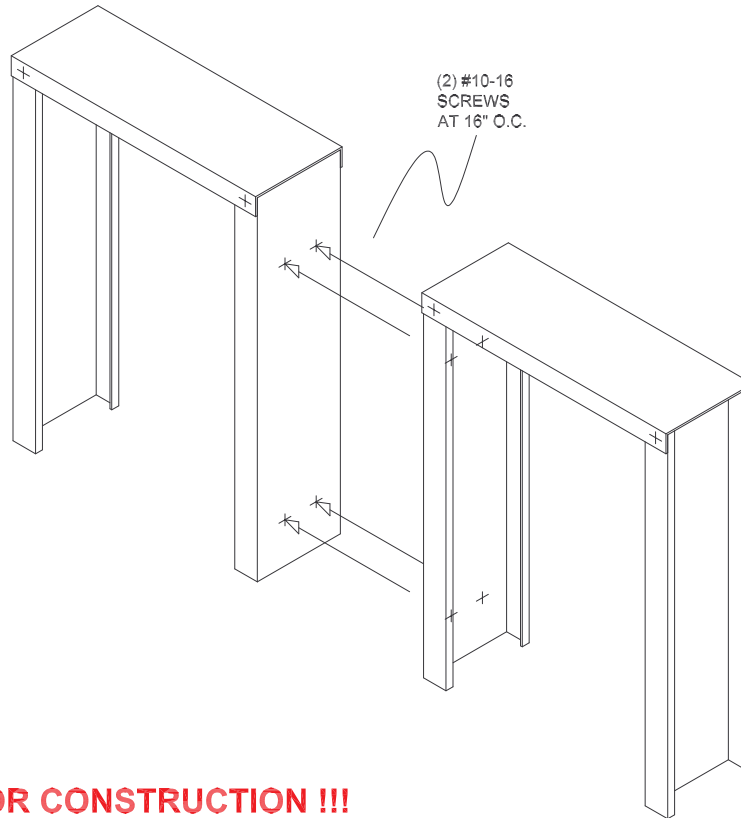


PLAN VIEW OF PANEL-TO-PANEL CONNECTION  
SCALE = 3" : 1'-0"



**!!! NOT FOR CONSTRUCTION !!!**

**TYPICAL CLOSED-TO-CLOSED  
END STUD PANEL CONNECTION  
DETAIL**

Superior Truss & Panel  
Incorporated

2204 West 159th Street  
Markham, Illinois 60426-9998  
Phone: (708) 339-1200 Fax: (708) 339-1248  
Web Site: [www.superior-truss.com](http://www.superior-truss.com)



DRAWING: D2

Drawn By: M. Franklin  
Scale: 1" : 1'-0"  
Date: January 17, 2006