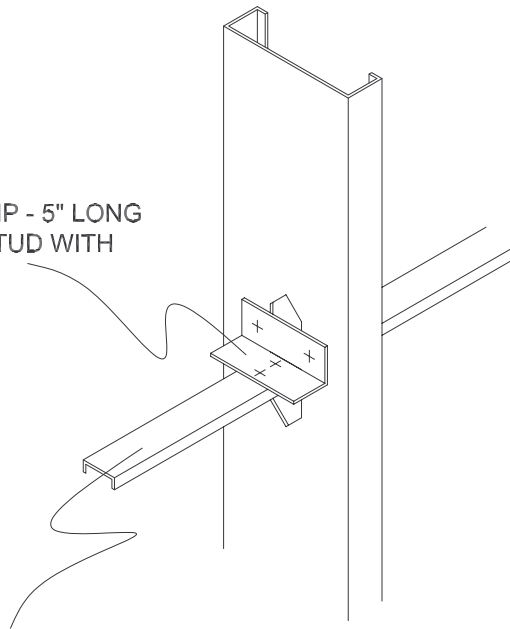


1.5"x1.5"x16ga CLIP - 5" LONG
ATTACHED TO STUD WITH
(2) #10 SDS.



1.5"x16ga COLD ROLLED CHANNEL
HORIZONTAL BRIDGING - ATTACHED TO
EACH CLIP WITH (2) #10 SDS.
VERTICAL ON-CENTER SPACING TO
BE DETERMINED.

TYPICAL COLD-ROLLED CHANNEL BRIDGING DETAIL

!!! NOT FOR CONSTRUCTION !!!

Superior Truss & Panel
Incorporated

2204 West 159th Street
Markham, Illinois 60426-9998
Phone: (708) 339-1200 Fax: (708) 339-1248
Web Site: www.superior-truss.com



DRAWING: CRC

Drawn By: M. Franklin
Scale: 1 1/2" : 1'-0"
Date: January 17, 2006